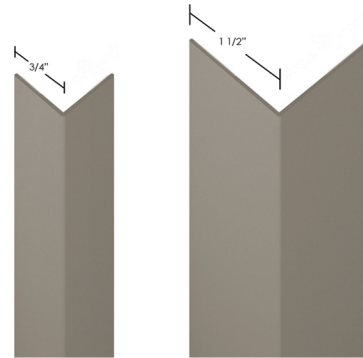


Corner Guards

CORNER GUARD

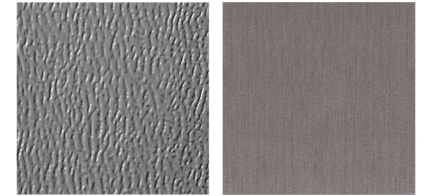


WING SIZE



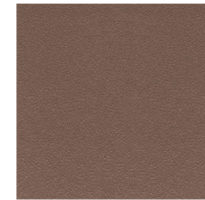
Available in 3/4" (19 mm) & 1-1/2" (38 mm)

FINISH

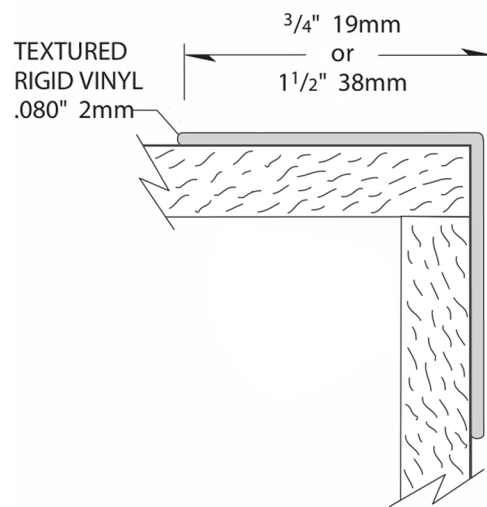


CG101- CG162

CGM163- CGM164



CGM165



SPECIFICATIONS

WING SIZE OPTIONS:

- 3/4" (19 mm)
- 1-1/2" (38 mm)
- 90° angle available for both sizes, see diagram on left

LENGTH OPTIONS:

- 8' (2.44m)
- 12' (3.66 m)

FINISH:

- Textured satin finish available on CG101- CG162
- Brushed metal finish available on CGM163- CGM164
- Brushed velvet finish available on CGM165

INSTALL:

- Install with heavy duty adhesive, recommendation below:
 - PL Pro Line Premium Construction Adhesive (by Loctite)
- Apply molding at least 24 hours after wall protection installation

PHYSICAL PROPERTIES

- Made with rigid PVC
- 0.80" (2mm) thick rigid vinyl